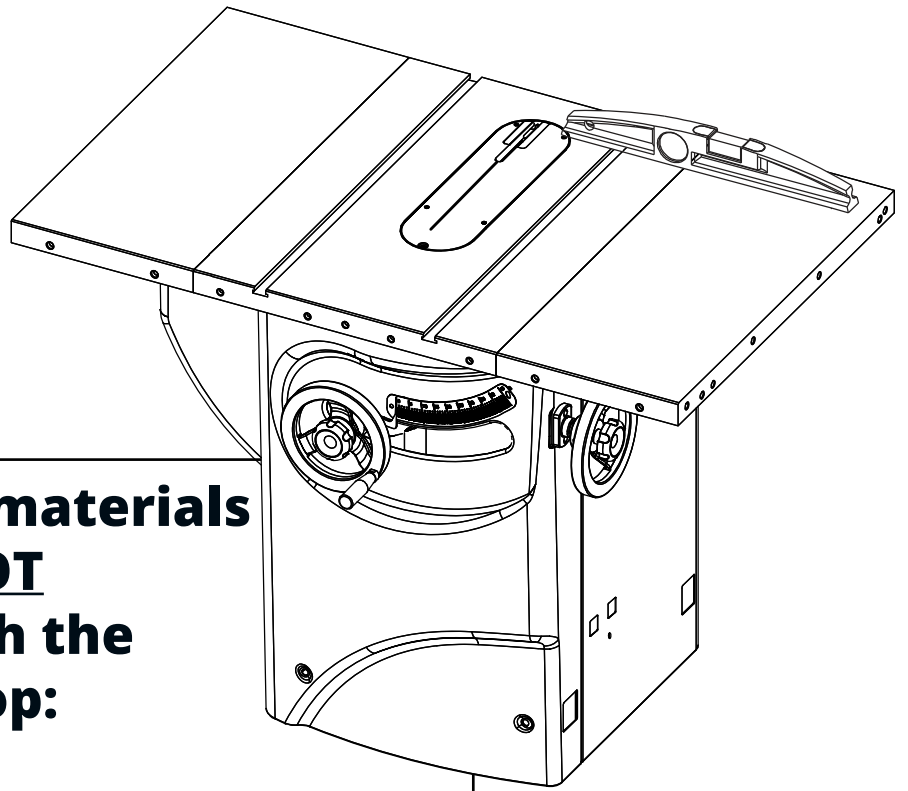


SawStop PCS 175



**The following materials
CANNOT
be cut with the
SawStop:**

Charred Wood
Laser-cut Wood
Chemically Treated Wood
Pressure Treated Wood
Wet Lumber
Green Wood
Wet Paint or Glue
Foil- Laminated Wood
Metal Leafed or Gilded Wood
Anti-Static Ultra High Molecular Weight Polyethylene(UHMW)

**The following can also set off
the SawStop brake and cannot
be used:**

Metal of any kind in the proximity of the blade
(saw sled, rulers, squares, etc)
Graphite Cloth
Cardboard Corner Guards
Anything with nails or staples

